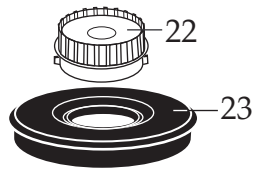
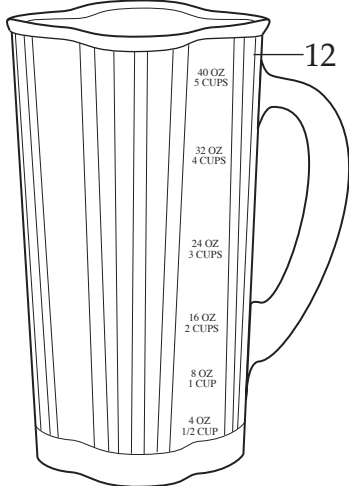
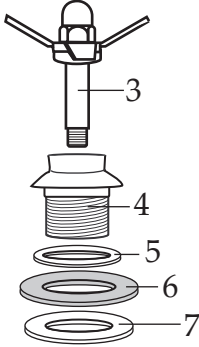


**004315**  
2 Piece Lid



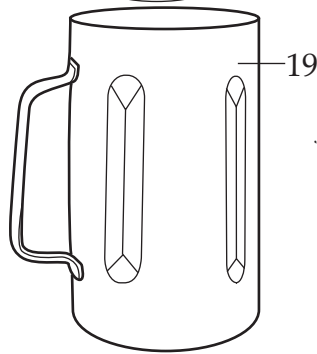
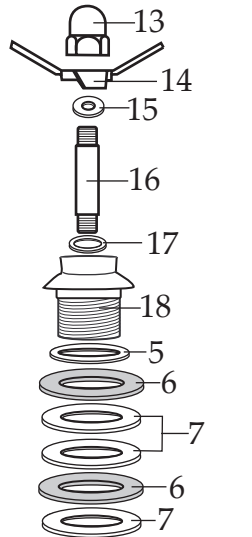
**500665**  
2 Piece Lid (center lid 011700)



**503171** Container with  
Blending Assy.  
(current production)

**007314W** Blending Assy.  
(3rd, 2nd generation & older units)

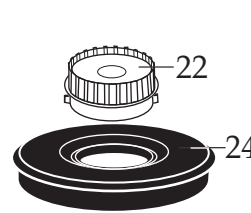
**500210** Container with  
Blending Assy.  
(3rd, 2nd generation & older units)



**007314W**  
Blending Assy.

**500757** Container with  
Blending Assy.

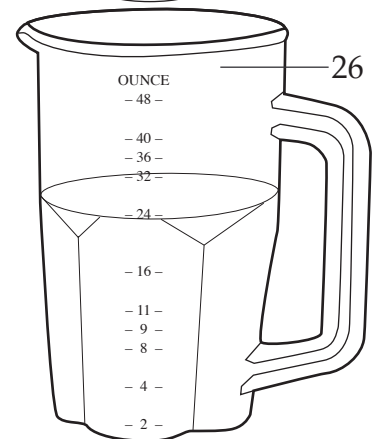
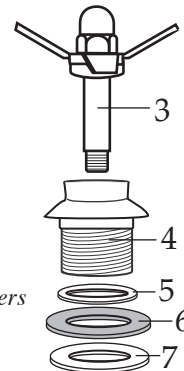
**500750** Container with  
Blending Assy. and Lid



**500664**  
2 Piece Lid (center lid 011700)  
for 503215, 501427 and 501114 Containers



**013304**  
NSF Label  
BB900M & BB900P



**503215** - BB900M, BB900P & BC900P  
Container with Blending Assy.  
(current production)

**501427** - BB900P & BB900M

**501114** - BC900P

(3rd, 2nd generation & older units)

**WARING**  
COMMERCIAL®

**BB900G** /glass container

**BB900S** /stainless steel container

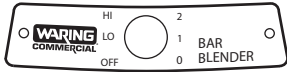
**BB900P** /plastic container

**BB900M** /BB900P with Boku name plate  
(marked for deletion)

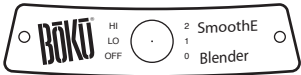
**BC900G** /CSA with glass container

**BC900S** /CSA with stainless steel container

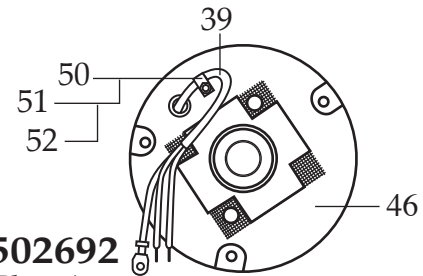
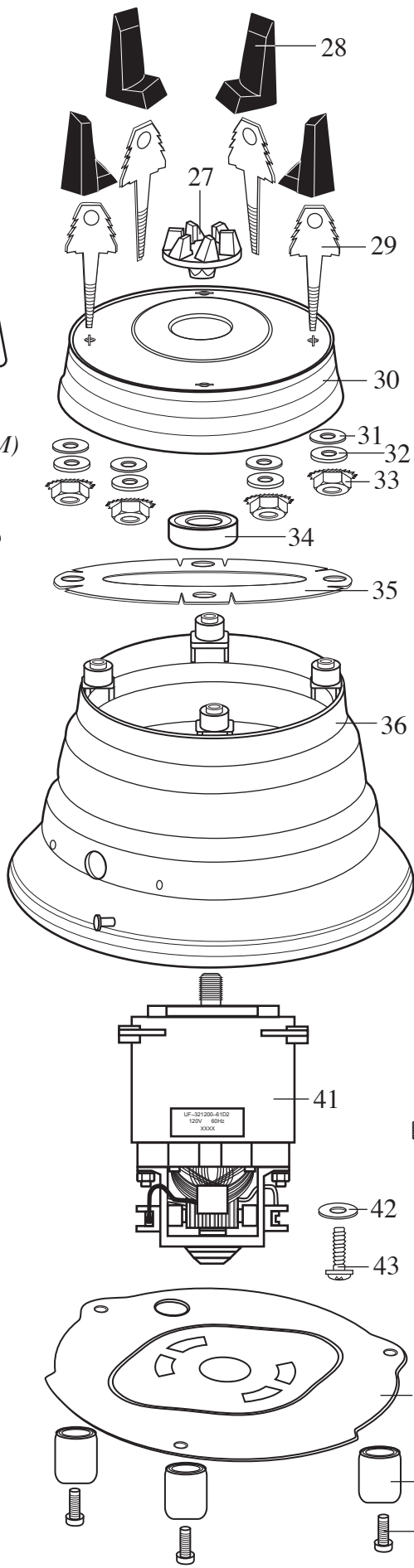
**BC900P** /CSA with plastic container



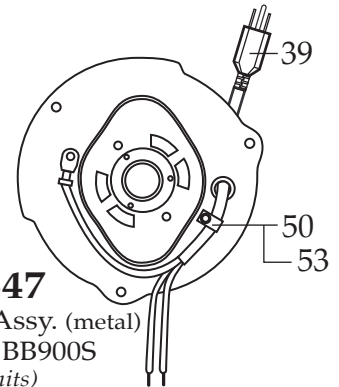
**014899**  
Name Plate  
(ALL units except BB900M)



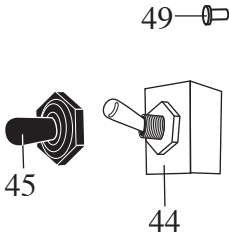
**023768**  
Name Plate  
BB900M



**502692**  
Bottom Plate Assy. (metal)  
BC900 Units



**500347**  
Bottom Plate Assy. (metal)  
BB900G & BB900S  
(older units)

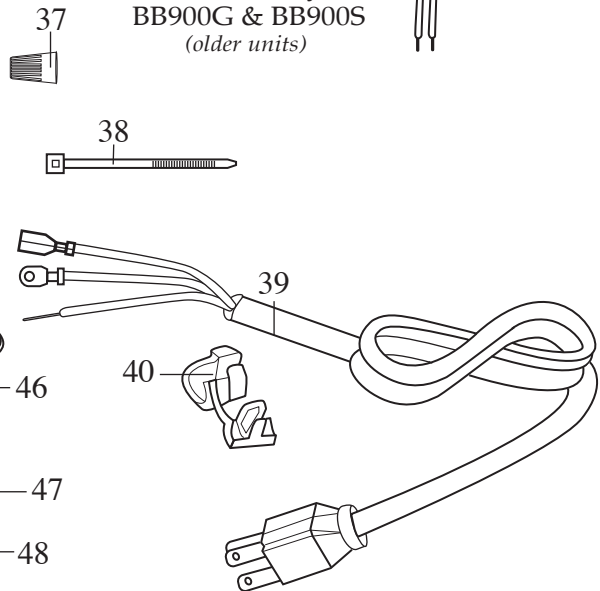


**Date Code System On This Motor**

1st Digit = Year  
2nd & 3rd Digit = Week of Year  
4th Digit = Day of Week (D=Sun; F=Sat)

XXXX  
1999  
Week 20  
Friday

For Example: 9205  
9205 = May 14 1999



**Catalog - Model**

BB900G - 33BL78 or 51BL20  
 BB900P - 34BL62 or 51BL21  
 BB900S - 33BL78 or 51BL20  
 BB900M - 39BL55

**Catalog - Model**

BC900G - 34BL58 or BC900G  
 BC900P - 34BL58 or BC900P  
 BC900S - 34BL58 or BC900S



<b>Illustration #</b>	<b>Part #</b>	<b>Description</b>
1	003146	Center Lid
2	003574-09	Outer Lid / clover leaf
3	503161	Blade Assy.
4	503159	Bearing Holder
5	009724	Washer / nylon
6	003537	Washer / stainless steel
7	003509	Washer / neoprene (rubber)
8	009780	Hex Nut
9	003526	Washer
10	006937	Washer / stainless steel
11	003138	Coupling (wagon wheel)
12	003573	Glass Container / 40 oz. (5 cups)
13	003504	Cap Nut
14	024203	Blade
15	003609	Washer / stainless steel
16	003601	Shaft
17	002903	Washer
18	009778	Bearing Holder
19	012860	Stainless Steel Container / 32 oz.
20	009762	Gasket
21	015055	Container Adapter
22	011700	Center Lid / BB900P
23	013442	Outer Lid
24	013443	Outer Lid
25	014846	Bearing Cap
26	014549	Plastic Container / 48 oz.
27	014009	Coupling
28	003137-09	Jar Pad 4 Req.'d
29	007967	Jar Pad Stud 4 Req.'d
30	017289	Plated Top Cover
31	012752	Seal 4 Req.'d
32	012751	Spacer 4 Req.'d
33	015165	Whizlock Nut 4 Req.'d

**Catalog - Model**

BB900G - 33BL78 or 51BL20  
 BB900P - 34BL62 or 51BL21  
 BB900S - 33BL78 or 51BL20  
 BB900M - 39BL55

**Catalog - Model**

BC900G - 34BL58 or BC900G  
 BC900P - 34BL58 or BC900P  
 BC900S - 34BL58 or BC900S

Waring Factory Service Center  
 314 Ella T. Grasso Ave.  
 Torrington, CT 06790  
 Tele. 1-800-269-6640

Fax 860-496-9017  
 www.waringproducts.com



Illustration #	Part #	Description
34	018594	Housing Seal
35	003563	Baffle
36	014254	Base (top housing)/chrome plated
37	009051	Wire Nut/BB900 1 Req.'d 2 Req.'d ( <i>older units</i> )
	012409	Crimp Connector/BC900 2 Req.'d 3 Req.'d ( <i>older units</i> )
38	013731	Cable Tie
39	501162	Cord Set with terminal
	003565	Cord Set no terminal
40	013680	Strain Relief /metal bottom
	016041	Strain Relief /plastic bottom ( <i>3rd &amp; 2nd generation</i> )
41	027255	Motor
42	002943	Washer
43	013659	Sems
44	029355	Switch
	026800	Switch ( <i>4th, 3rd &amp; 2nd generation</i> )
	012698	Switch ( <i>older units</i> )
45	012703	Switch Seal (boot)
46	503011	Bottom Plate Assy. with Cord Set / metal BB900
	027790	Bottom Plate ONLY /BB900
	026151	Bottom Plate ONLY /plastic BB900 ( <i>3rd generation</i> )
	502974	Bottom Plate Assy. with Cord Set /plastic BB900 ( <i>3rd generation</i> )
	502776	Bottom Plate Assy. with Cord Set /plastic BB900 ( <i>2nd generation</i> )
	502747	Bottom Plate Assy with Screen and Fuse Assy. /BC900
	502692	Bottom Plate Assy. with Screen, Fuse Assy. & Cord Set /BC900
	501039	Bottom Plate Assy. with Screen / metal bottom ( <i>older units</i> )
	500347	Bottom Plate Assy. with Cord Set / metal bottom BB900 ( <i>older units</i> )
47	002891	Foot 3 Req.'d / metal bottom
	503376	Screw & Foot Assy. 3 Req.'d / metal bottom
	024645	Foot 3 Req.'d / plastic bottom ( <i>3rd &amp; 2nd generation</i> )
48	003569	Screw 3 Req.'d / metal bottom
	013659	Sems 3 Req.'d / plastic bottom ( <i>3rd &amp; 2nd generation</i> )
49	003532	Rivet 2 Req.'d
50	014553	Cable Clamp /BB900P ( <i>older units</i> ), BB900M, BC900
51	007558	Screw /BB900P ( <i>older units</i> ), BB900M, BC900
52	012369	Keq Nut / metal bottom BB900P , BC900 units
	002881	Keq Nut /BB900M
53	002962	Screw

### Catalog - Model

BB900G - 33BL78 or 51BL20  
 BB900P - 34BL62 or 51BL21  
 BB900S - 33BL78 or 51BL20  
 BB900M - 39BL55

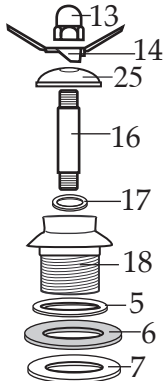
### Catalog - Model

BC900G - 34BL58 or BC900G  
 BC900P - 34BL58 or BC900P  
 BC900S - 34BL58 or BC900S

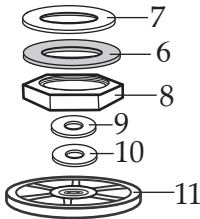
**Waring Factory Service Center**  
 314 Ella T. Grasso Ave.  
 Torrington, CT 06790  
 Tele. 1-800-269-6640  
 Fax 860-496-9017  
 www.waringproducts.com

## Items Not Shown

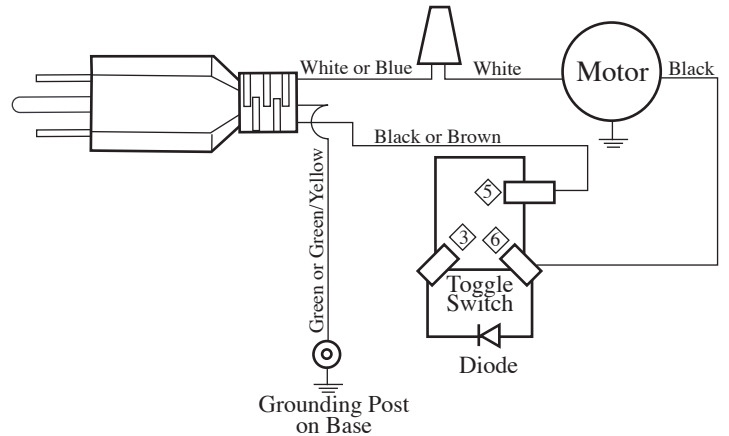
- 500916 - Lead & Diode /old motor 024030
- 502874 - Lead & Diode (003262) /BB900M
- 501044 - Lead Assy. /BC900 Units
- 502693 - Fuse Assy. /BC900 Units
- 016211 - Foot Plug 3 Req.'d /BB900M & BB900P (older units)



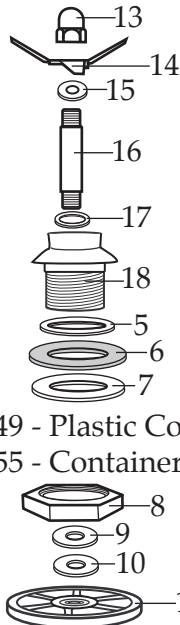
014549 - Plastic Container  
 015055 - Container Adapter



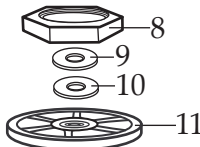
**501427** - parts  
 BB900P or BB900M  
 (3rd, 2nd generation & older units)



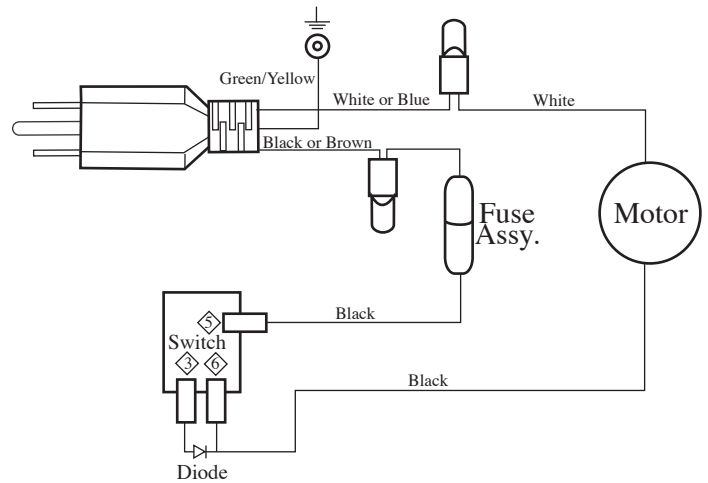
**Wiring Diagram**  
 BB900G-BB900P-BB900S



014549 - Plastic Container  
 015055 - Container Adapter



**501114** - parts  
 BC900P  
 (3rd, 2nd generation & older units)



**Wiring Diagram**  
 BC900G-BC900P-BC900S