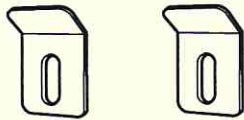


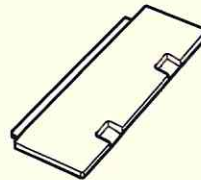
Top Kit Installation Instructions

1. Check to make sure that the top kit brackets are in the carton.

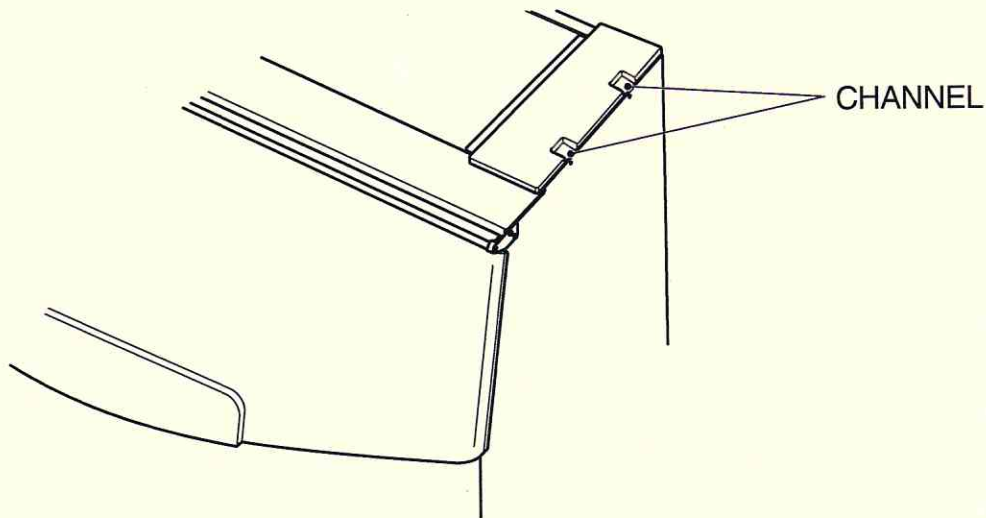
TOP KIT BRACKET
Qty. 2



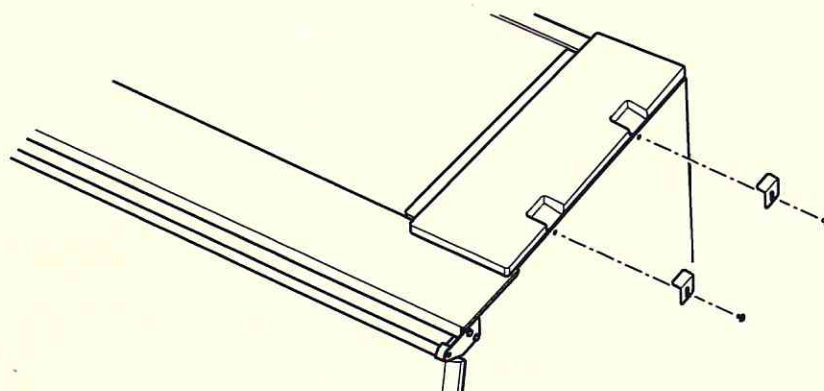
TOP KIT



2. Place the top kit on the right/left side of the bin.
The side of the top kit with the two channels in it should be on top of the bin with the channels facing up. See the illustration.



3. Attach the brackets. Two screws will already be in place on the side panel.
Remove these screws and use them to attach the brackets.



Note: Make sure that the top kit is correctly aligned on top of the bin.
Tighten the screws with a screwdriver.